

Did you know

2015

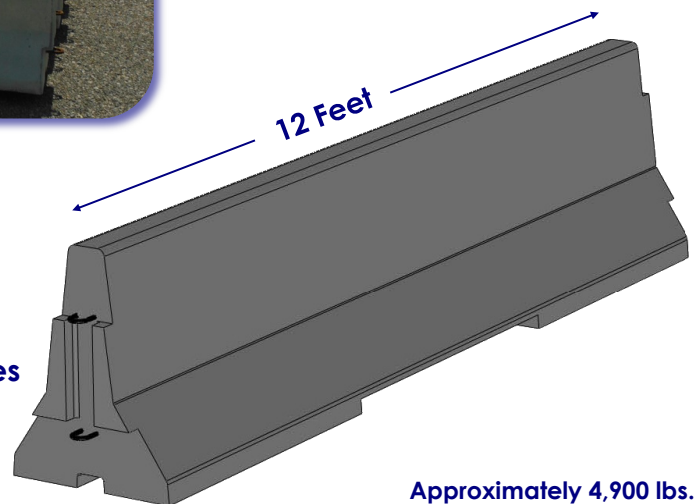
Precast traffic barrier



- Readily available
- Produced in a quality-controlled environment
- Durability from the elements
- Modularity
- Faster and safer than slip-forming
- Durability upon vehicular impact
- Less maintenance
- Superior strength
- ODOT tested and approved



32 Inches



Approximately 4,900 lbs.

6845 Erie Avenue N.W.
Canal Fulton OH 44614
Ohio - 800.837.7788
Florida - 800.669.2278
Colorado - 888.685.7595
North Carolina - 800.768.8265

www.lindsayprecast.com

LP
Lindsay
PRECAST

protecting what matters.